

## Lumistar Luminaire ESL 25LED

- **For mounting on sight glass fittings**  
Designed for universal applications. It is ideal for combined sight glass and light assemblies, either as a single-flange version or with two separate flanged ports.
- **Compact yet powerful:**  
Dazzle-free illumination, for use with circular sight glass fittings to DIN 28120/DIN 28121 or similar, with screwed sight glass units in compliance with DIN 11851, and in visual flow indicators.
- **Large light aperture thanks to optimised screw-in lens design**
- **Application:**  
For illuminating visual flow indicators, pipelines, laboratory mixers, bioreactors as well as the interior of pressure vessels, tanks, agitators and other – normally closed – processing vessels.
- **Especially suitable for use in sterile and food areas**
- **Protection class:**  
- IP 65 and IP 67 according to DIN EN 60529  
- IP 66 as a special version on request
- **Operating conditions:**  
Independent of the internal pressure/vacuum in vessel.  
Under no circumstances should a sight glass luminaire be used to replace the mating flange or the sight glass/luminaire assembly or on its own to close a vessel port.
- **Attention:**  
Do not look into light – danger of impaired eyesight!
- **Lumistar luminaires of this type are approved for use in ambient temperatures up to 50°C.**
- **Voltage:**  
Alternating/direct current, depending on luminaire type
- **Operating voltage:**  
24 V AC/DC – 7.5 W  
110-230 V AC – 7.5 W  
Colour temperature: 6500 K, other light colours (CCT) on request  
Luminous flux: 360-430 lm (depending on beam angle)
- **Beam angle:**  
12°; 25°; 38°
- **Straightforward electrical connection via integrated cable entry gland**
- **Mounting options:**  
With circular sight glass fittings and flow indicators the luminaire is secured to the mating flange by means of the hinged bracket.  
With screw-type sight glass units the luminaire is mounted on the slotted cover nut.

CE

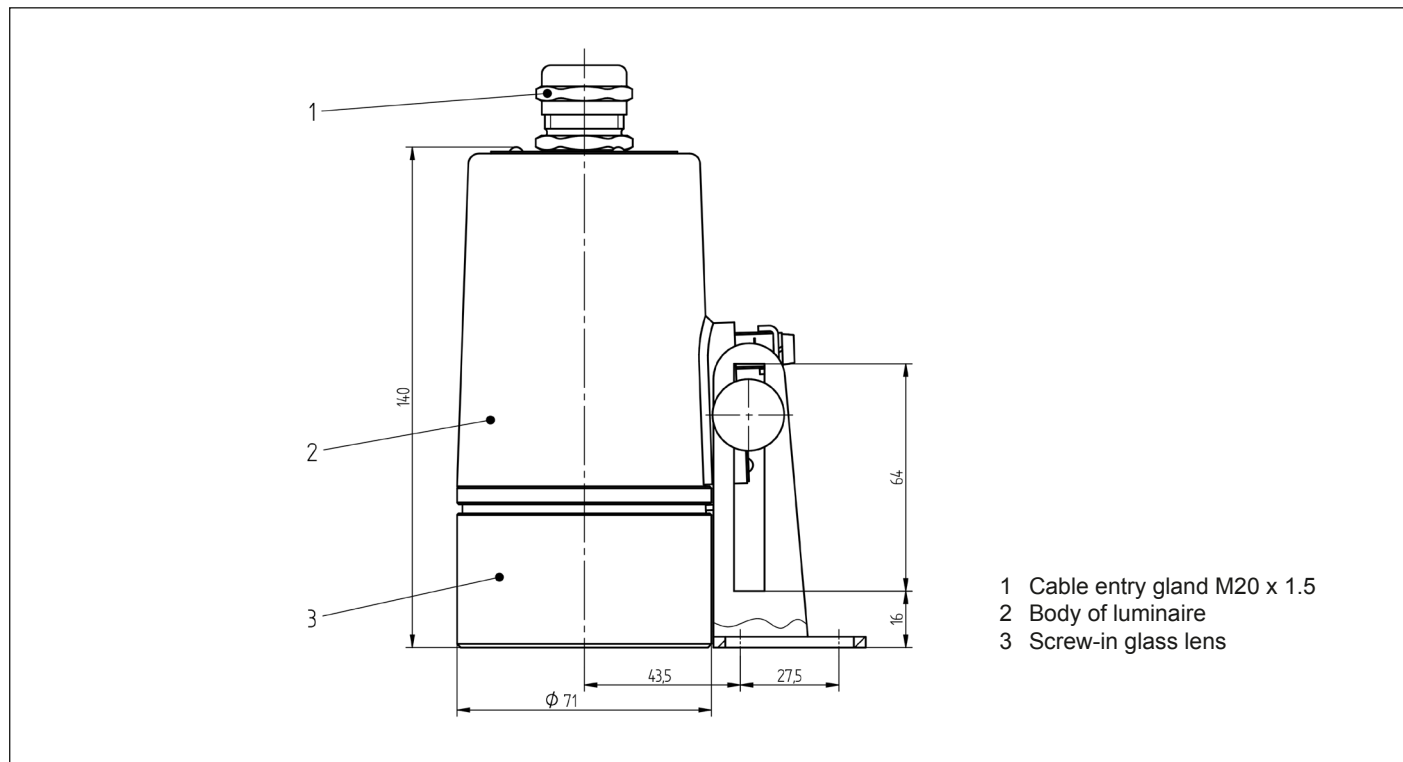
3755.682



Lumistar luminaire ESL 25LED

- **The Lumistar luminaire ESL 25LED fits the following nominal sizes:**
  - a) Circular sight glass fittings to DIN 28120: DN 25
  - b) Circular sight glass fittings to DIN 28121: DN 40
  - c) Flow indicators: from DN 50
  - d) Screwed sight glass fittings similar to DIN 11851:
    - with DN 65, mounting is by way of separate flange adapter collar
    - from DN 80 up, the hinged bracket is possible
- **For sterile applications, a version of this Lumistar luminaire is available with a sleeve that fits over a raised lip on the mating flange.**

## • Dimensions and electrical data for Lumistar luminaire ESL 25LED:



## • Components and materials:

- Body of luminaire: Stainless steel 1.4404, polished
- Fastening components: Stainless steel 1.4301 (see 'Accessories')
- Cable entry gland: M20 x 1.5
- Weight: 1.8 kg

## • Connecting data:

Item	ESL 25LED	Standard variants part no.	IP66 variants part no.	Ambient temperature range
1	24 V AC/DC – 7.5 W	3542.001.00	3542.003.00	$-20^{\circ}\text{C} \leq T_a \leq +50^{\circ}\text{C}$
2	110-230 V AC – 7.5 W	3542.002.00	3542.004.00	$-20^{\circ}\text{C} \leq T_a \leq +50^{\circ}\text{C}$

## • Accessories:

Item	Component	Part no.
1	Hinged bracket mounting for luminaire	0354.019.00
2	Flanged adapter collar mounting: MV 50 – welded on; MV 65 – $\phi 80$ mm	1356.010.00
3	Flanged adapter collar mounting: MV 80 – $\phi 94$ mm	1356.029.00
4	Claw spanner for screw-in lens	6816.001.00
5	Timer module, Ex version	on request
6	Connecting cable	on request

## • Order data:

e.g. Lumistar luminaire ESL 25LED, 24 V – 7.5 W, part no. 3542.001.00