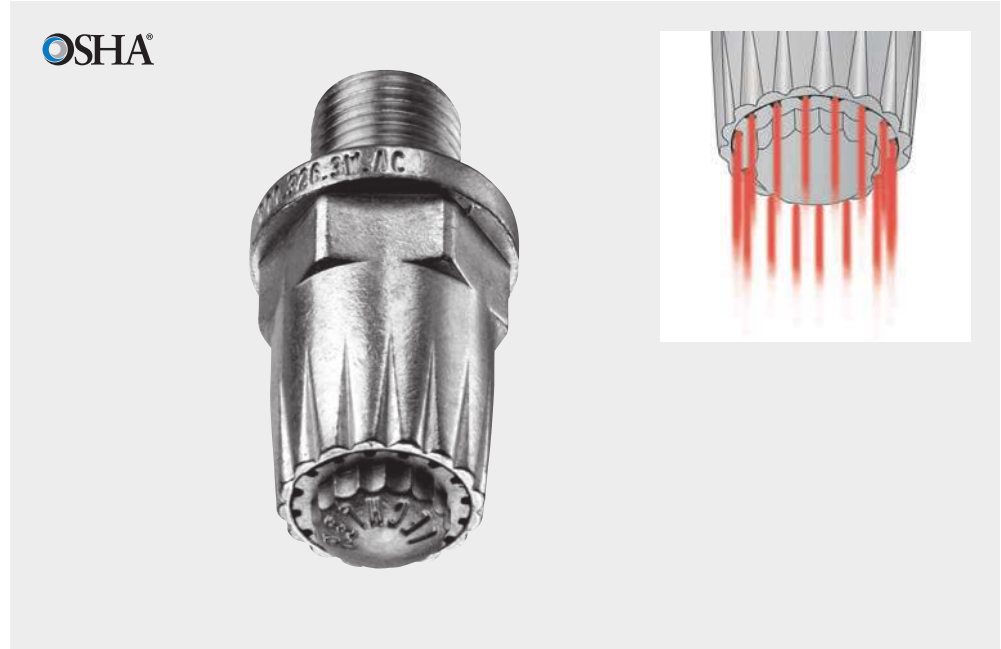




Multi-channel round jet nozzles for air Series 600.326.3W

Series 600.326.3W

The multi-channel round jet nozzles of the 600.326 series generate a powerful, circular air jet. The noise level and air consumption remain low even at higher air pressures. The zinc version permits use at increased pressure and temperature. The special geometry at the nozzle outlet prevents air penetration into human skin. These nozzles comply with the OSHA standards.



Cost savings

8 %



Noise reduction

17 %



Material
Zinc



Blowing force
2.1 N at 2 bar



Noise level
79 db(A) at 2 bar



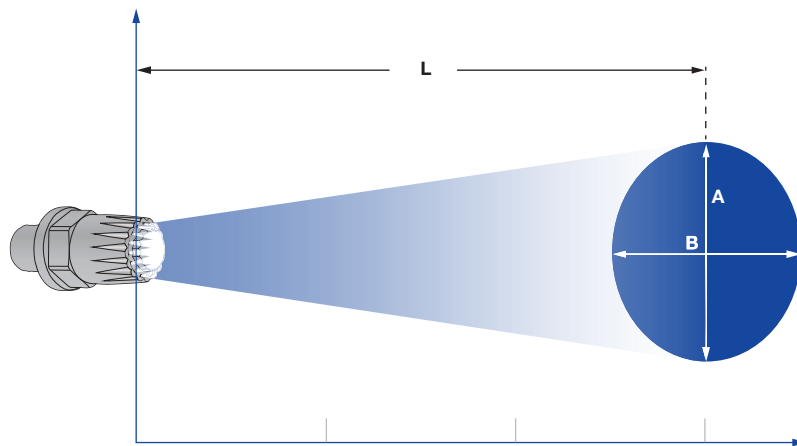
Air consumption
 $V_{LN} = 15 \text{ m}^3/\text{h}$ at 2 bar



Pressure
 $p_{\text{max}} = 10 \text{ bar}$



Max. temperature
90 °C

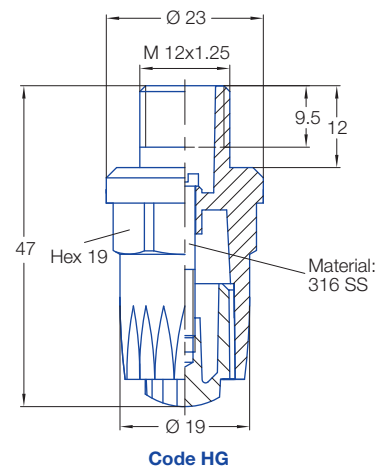
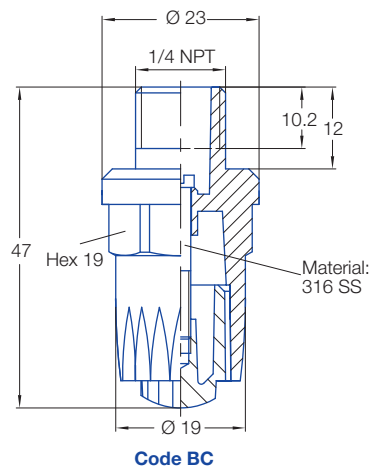
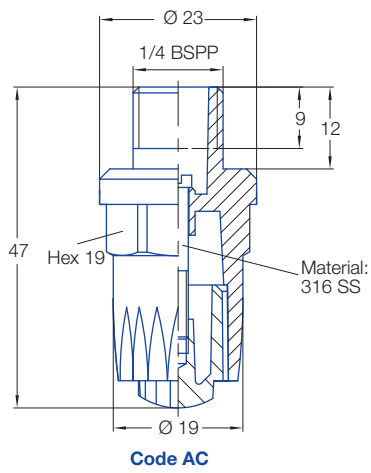


Jet pattern of 600.326.3W nozzle series

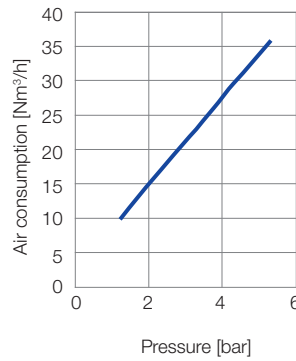
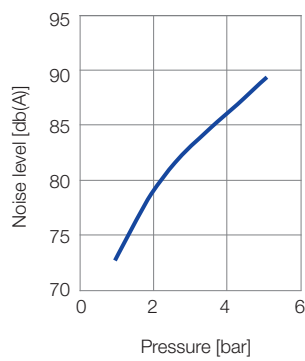
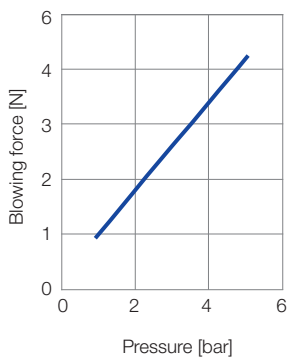
Pressure:	1 bar	3 bar	5 bar
Distance L [mm]:	700	900	900

Jet dimensions at L

A [mm]:	160	220	260
B [mm]:	160	220	260



Technical data



Ordering no.		Connection thread
Type	Code	
600.326.3W (Material: Zinc GD-Z410)	AC	1/4 BSPP
	BC	1/4 NPT
	HG	M 12x1.25

Example of ordering: Type **600.326.3W** + Code **AC** = Ordering no. **600.326.3W.AC**

Also as a high-temperature version of brass available on request.