



# Mini multi-channel flat jet nozzles for air Series 600.382.35

## Series 600.382.35

The mini multi-channel flat jet nozzles of the 600.382 series generate a narrow, powerful air jet. Very accurate and economical operation is possible thanks to the narrow orifice.



**Cost savings**

**15%**



**Noise reduction**

**12%**



**Materials**

Brass nickel plated,  
PVC



**Blowing force**

2.3 N at 2 bar



**Noise level**

77.5 db(A) at 2 bar



**Air consumption**

$V_{LN} = 15 \text{ m}^3/\text{h}$  at 2 bar



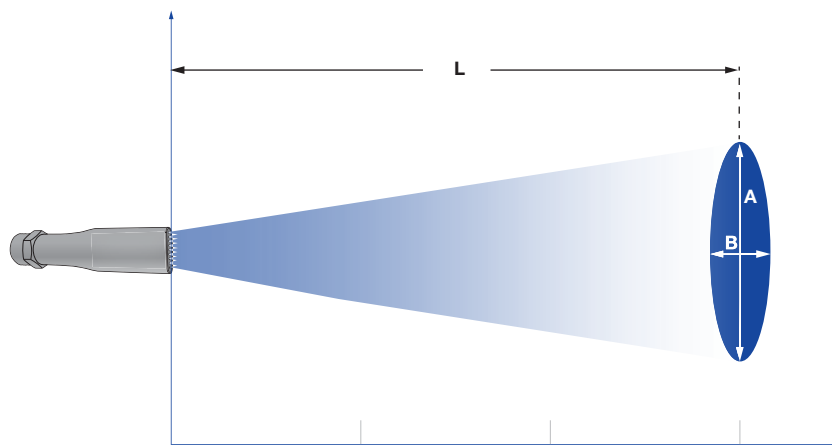
**Pressure**

$p_{max} = 10 \text{ bar}$



**Max. temperature**

50 °C

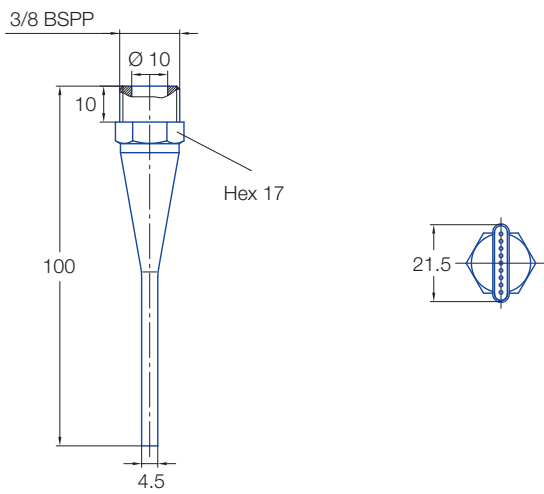


Jet pattern of 600.382.35 nozzle series

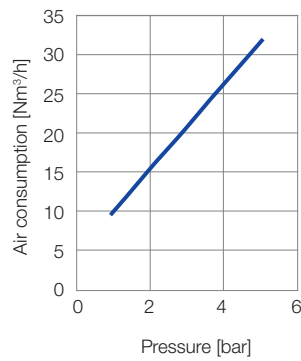
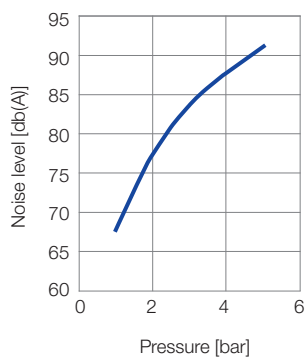
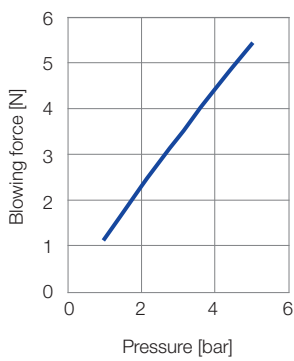
Pressure:	1 bar	3 bar	5 bar
Distance L [mm]:	475	825	900

Jet dimensions at L

A [mm]:	110	170	200
B [mm]:	85	140	180



**Technical data**



Ordering no.		
Type	Mat. no.	Code
	<b>35</b>	
	<b>Brass nickel plated/ PVC</b>	
		3/8 BSPP
<b>600.382.35.AE</b>	○	<b>AE</b>

**Example of ordering:** Type + Mat. no. + Code = Ordering no.  
 600.382. + 35 + AE = 600.382.35.AE