

BBS/BHG

HIGH PRESSURE-BLOCK TYPE
BALL VALVE WITH THREADED PORTS

VERSION **C**
DN 4-25 | PN 100-350

FULL BORE



INFORMATION

Block type ball valve with threaded ports

/// Free of non-ferrous heavy metals

/// Version acc. to article
ABS.3 DGRL 2014/68/EU

/// The lever is included

MATERIALS

| | |
|---------------|-----------------------|
| Body | Steel* |
| Fittings | Steel* |
| Ball | Stainless steel |
| Sealings | PTFE, with steel ring |
| O-Rings | FPM |
| Stem | Stainless steel |
| Stem retainer | Stainless steel |

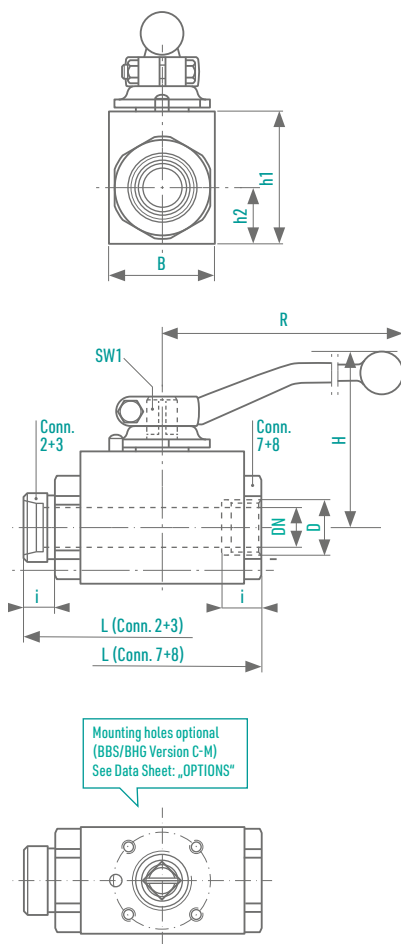
*Material: EN10204 - 3.1

OPTIONS

/// Mounting holes
(BBS/BHG Version C-M)
Surcharge: 20,40 €

/// Locking device
(BBS/BHG Version C-L)
Surcharge: 23,00 €

/// Special designs on request



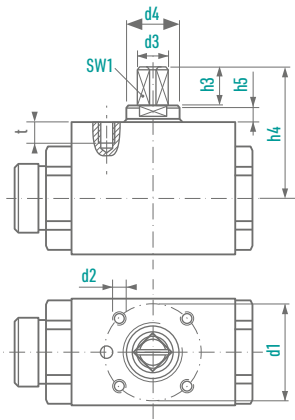
| Connection | DN [mm] | OD Pipe [mm] | PN [bar] | D [mm] | i [mm] | L [mm] | B [mm] | h1 [mm] | h2 [mm] | H [mm] | R [mm] | SW1 [mm] | Wght [kg] | Order Number |
|--|---------|--------------|----------|-----------|--------|--------|--------|---------|---------|--------|--------|----------|-----------|--------------|
| 2 For compression fitting, light series, DIN 2353 | 4 | 6 | 250*1 | M12 x 1,5 | 10 | 76 | 30 | 35 | 16 | 51 | 90 | 8 | 0,4 | 0081761 |
| | 6 | 8 | 250*1 | M14 x 1,5 | 10 | 76 | 30 | 35 | 16 | 51 | 90 | 8 | 0,4 | 0081762 |
| | 8 | 10 | 250*1 | M16 x 1,5 | 11 | 76 | 30 | 35 | 16 | 51 | 90 | 8 | 0,4 | 0081763 |
| | 10 | 12 | 250*1 | M18 x 1,5 | 11 | 95 | 35 | 45 | 18,5 | 58 | 90 | 8 | 0,5 | 0081764 |
| | 12 | 15 | 250*1 | M22 x 1,5 | 12 | 96 | 40 | 50 | 23 | 68 | 130 | 10 | 0,9 | 0081765 |
| | 16 | 18 | 160*1 | M26 x 1,5 | 12 | 105 | 40 | 50 | 21,5 | 68 | 130 | 10 | 1,0 | 0081766 |
| | 20 | 22 | 160*1 | M30 x 2 | 14 | 110 | 45 | 55 | 24 | 77 | 180 | 10 | 1,3 | 0081767 |
| 25 | 28 | 100*1 | M36 x 2 | 14 | 120 | 55 | 65 | 30,5 | 82 | 180 | 12 | 2,2 | 0081768 | |
| 3 For compression fitting, heavy series, DIN 2353 | 4 | 8 | 350 | M16 x 1,5 | 12 | 76 | 30 | 35 | 16 | 51 | 90 | 8 | 0,4 | 0081769 |
| | 6 | 10 | 350 | M18 x 1,5 | 12 | 76 | 30 | 35 | 16 | 51 | 90 | 8 | 0,4 | 0081770 |
| | 8 | 12 | 350 | M20 x 1,5 | 12 | 76 | 30 | 35 | 16 | 51 | 90 | 8 | 0,4 | 0081771 |
| | 10 | 14 | 350 | M22 x 1,5 | 14 | 95 | 35 | 45 | 18,5 | 58 | 90 | 8 | 0,5 | 0081772 |
| | 12 | 16 | 350 | M24 x 1,5 | 14 | 96 | 40 | 50 | 23 | 68 | 130 | 10 | 0,9 | 0081773 |
| | 16 | 20 | 250 | M30 x 2 | 16 | 105 | 40 | 50 | 21,5 | 68 | 130 | 10 | 1,0 | 0081774 |
| | 20 | 25 | 175 | M36 x 2 | 18 | 110 | 45 | 55 | 24 | 77 | 180 | 10 | 1,3 | 0081775 |
| 25 | 30 | 150 | M42 x 2 | 20 | 120 | 55 | 65 | 30,5 | 82 | 180 | 12 | 2,2 | 0081776 | |
| 7 BSP female thread DIN ISO 228/1 | 4 | - | 350 | G 1/8 | 11 | 50 | 30 | 35 | 16 | 51 | 90 | 8 | 0,4 | 0081777 |
| | 6 | - | 350 | G 1/4 | 12,5 | 50 | 30 | 35 | 16 | 51 | 90 | 8 | 0,4 | 0081778 |
| | 8 | - | 350 | G 3/8 | 12,5 | 75 | 30 | 35 | 16 | 51 | 90 | 8 | 0,4 | 0081779 |
| | 10 | - | 350 | G 3/8 | 12,5 | 95 | 35 | 45 | 18,5 | 58 | 90 | 8 | 0,7 | 0081780 |
| | 12 | - | 350 | G 1/2 | 15 | 75 | 40 | 50 | 23 | 68 | 130 | 10 | 0,8 | 0081781 |
| | 16 | - | 250 | G 1/2 | 15 | 75 | 40 | 50 | 21,5 | 68 | 130 | 10 | 0,9 | 0081782 |
| | 20 | - | 175 | G 3/4 | 18 | 80 | 45 | 55 | 24 | 77 | 180 | 10 | 1,2 | 0081783 |
| 25 | - | 150 | G 1 | 20 | 90 | 55 | 65 | 30,5 | 82 | 180 | 12 | 2,1 | 0081784 | |
| 8 NPT female thread ANSI/ASME B 1.20.1 | 4 | - | 350 | NPT 1/8 | 11 | 50 | 30 | 35 | 16 | 51 | 90 | 8 | 0,4 | 0081785 |
| | 6 | - | 350 | NPT 1/4 | 12,5 | 50 | 30 | 35 | 16 | 51 | 90 | 8 | 0,4 | 0081786 |
| | 8 | - | 350 | NPT 3/8 | 12,5 | 75 | 30 | 35 | 16 | 51 | 90 | 8 | 0,4 | 0081787 |
| | 10 | - | 350 | NPT 3/8 | 12,5 | 95 | 35 | 45 | 18,5 | 58 | 90 | 8 | 0,7 | 0081788 |
| | 12 | - | 350 | NPT 1/2 | 15 | 75 | 40 | 50 | 23 | 68 | 130 | 10 | 0,8 | 0081789 |
| | 16 | - | 250 | NPT 1/2 | 15 | 75 | 40 | 50 | 21,5 | 68 | 130 | 10 | 0,9 | 0081790 |
| | 20 | - | 175 | NPT 3/4 | 18 | 80 | 45 | 55 | 24 | 77 | 180 | 10 | 1,2 | 0081791 |
| 25 | - | 150 | NPT 1 | 20 | 90 | 55 | 65 | 30,5 | 82 | 180 | 12 | 2,1 | 0081792 | |

*1 Pressure Rating of the pipe connection

OPTIONS

MOUNTING HOLES, OPTIONAL (VERSION -M)

Subject to surcharge unless otherwise described



Models

**BMG
BHG
EBG**

**Connection-
types
2,3,7,8,40**

| DN [mm] | d1 | d2 | t | SW1 | d3 | h3 | h4 | d4 | h5 |
|------------|----|----|---|-----|----|----|----|----|-----|
| 4 | 25 | M5 | 6 | 8 | 10 | 10 | 29 | - | - |
| 6 | 25 | M5 | 6 | 8 | 10 | 10 | 29 | - | - |
| 8 | 25 | M5 | 6 | 8 | 10 | 10 | 29 | - | - |
| 10 | 25 | M5 | 6 | 8 | 10 | 10 | 36 | 16 | 5 |
| 12 | 36 | M6 | 8 | 10 | 12 | 14 | 47 | 20 | 5 |
| 16 | 36 | M6 | 8 | 10 | 12 | 14 | 49 | 20 | 5 |
| 20 | 50 | M6 | 8 | 10 | 12 | 14 | 51 | 20 | 5 |
| 25 | 50 | M6 | 8 | 12 | 15 | 14 | 55 | 23 | 5,5 |



Models

MKG

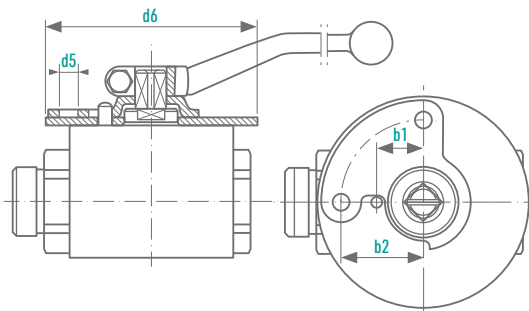
**Connection-
types 2,3,7,8**

| DN [mm] | d1 | d2 | t | SW1 | d3 | h3 | h4 | d4 | h5 |
|------------|----|----|----|-----|----|------|----|----|----|
| 32 | 50 | M8 | 10 | 16 | 20 | 19,5 | 77 | 29 | 7 |
| 40 | 50 | M8 | 10 | 16 | 20 | 19,5 | 83 | 29 | 7 |
| 50 | 50 | M8 | 10 | 16 | 20 | 19,5 | 90 | 29 | 7 |

OPTIONS

LOCKING DEVICE, OPTIONAL (VERSION -L)

Subject to surcharge



| Models | DN [mm] | b1 | b2 | d5 | d6 |
|---|---------|------|----|-----|-----|
| KMG KHG MKG ENG | 4 | 12 | 23 | 7,5 | 60 |
| | 6 | 12 | 23 | 7,5 | 60 |
| | 8 | 12 | 23 | 7,5 | 60 |
| | 10 | 13,5 | 23 | 7,5 | 65 |
| | 12 | 17,5 | 31 | 7 | 80 |
| | 16 | 17,5 | 31 | 7 | 80 |
| | 20 | 17,5 | 31 | 7 | 80 |
| | 25 | 17,5 | 31 | 7 | 80 |
| | 32 | 24 | 41 | 7 | 100 |
| | 40 | 24 | 41 | 7 | 100 |
| 50 | 24 | 41 | 7 | 100 | |
| Connection types 2,3,7,8, 40 | | | | | |

| BAUREIHEN | DN [mm] | b1 | b2 | d5 | d6 |
|--|---------|------|----|-----|----|
| BMG BHG EBG | 4 | 12 | 23 | 7,5 | 60 |
| | 6 | 12 | 23 | 7,5 | 60 |
| | 8 | 12 | 23 | 7,5 | 60 |
| | 10 | 13,5 | 23 | 7,5 | 65 |
| | 12 | 17,5 | 31 | 7 | 80 |
| | 16 | 17,5 | 31 | 7 | 80 |
| | 20 | 17,5 | 31 | 7 | 80 |
| 25 | 17,5 | 31 | 7 | 80 | |
| Connection types 2,3,7,8,40 | | | | | |