

Rod ends with male thread: KARM and KALM



Standard design

Stainless steel sleeve version (MH)

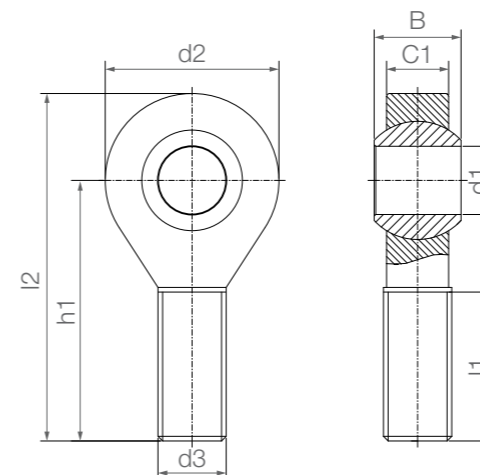
- Maintenance-free dry operation
 - Robust
 - Durable in varying loads
 - Compensation of misalignment errors
 - Resistant to edge loads
 - Resistant to dirt, dust and lint
 - Resistant to corrosion and chemicals
 - Vibration-dampening
 - Suitable for rotating, oscillating and linear movements
 - Lightweight
 - Dimensional K series according to DIN ISO 12240
 - Available with stainless steel sleeve for higher tightening torque
 - Adapter screw with circlip available
- ▶ Accessories, page 861

Service life calculation online
▶ www.igus.eu/igubal-expert

Technical data

Part No.	Max. static tensile strain		Max. static axial force		Min. thread depth Thread [mm]	Max. tightening torque Male thread [Nm]	Max. tightening torque through ball		Weight [g]
	Short-term [N]	Long-term [N]	Short-term [N]	Long-term [N]			Without stainless steel sleeve [Nm]	With stainless steel sleeve [Nm]	
KA□M-05	800	400	80	40	13	0.4	5	12	2.7
KA□M-06	1,000	500	100	50	15	0.5	10	15	3.9
KA□M-08	1,700	850	200	100	18	2.0	12	40	7.1
KA□M-10	2,500	1,250	300	150	20	5.0	20	50	12.5
KA□M-10 F	2,500	1,250	300	150	20	3.0	20	50	12.5
KA□M-12	2,700	1,350	400	200	22	6.0	30	70	18.0
KA□M-12 F	2,700	1,350	400	200	22	6.0	30	70	18.0
KA□M-14	3,400	1,700	700	350	25	12.0	35	75	25.0
KA□M-16	3,900	1,950	800	400	26	17.0	40	110	34.0
KA□M-16 F	3,900	1,950	800	400	26	17.0	40	110	34.0
KA□M-18	4,200	2,100	1,000	500	29	20.0	45	150	45.9
KA□M-20	6,000	3,000	1,300	650	32	25.0	55	200	58.0
KA□M-20 M20	6,000	3,000	1,300	650	32	25.0	55	200	58.0
KA□M-22	7,200	3,600	1,500	750	34	25.0	60	-	86.2
KA□M-25	7,500	3,750	1,900	950	39	45.0	65	-	99.1
KA□M-30	8,800	4,400	2,300	1,150	46	85.0	70	-	160.4

Rod ends with male thread:
KARM and KALM



Order key

Type	Size [mm]	Options
K	A	□
M	05	MH
K series	Housing (male thread)	Thread L = Left-hand thread R = Right-hand thread
Thread	Metric	Add-on: MH = With stainless steel sleeve
Inner Ø		

i Material:
Housing: igumid G ▶ Page 1654
Spherical ball: iglidur® W300 ▶ Page 171

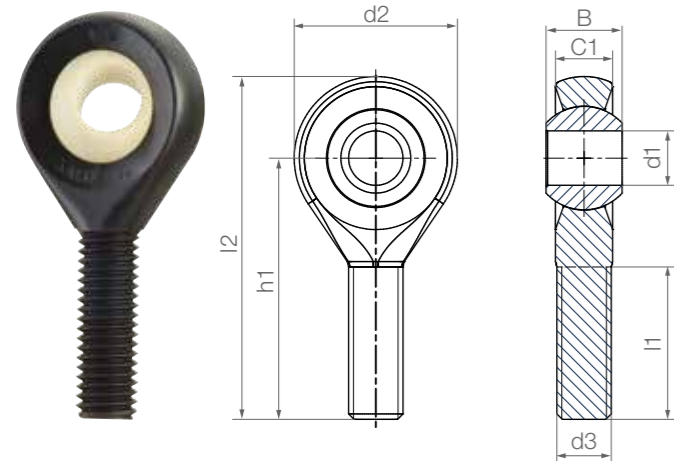
inch Imperial dimensions available
▶ Page 1607

Dimensions [mm]

Part No.	d1 E10	d2	d3	C1	B		h1	l1	l2	Max. pivot angle
					without stainless steel sleeve	with stainless steel sleeve +0.2				
KA□M-05	5	18	M5	6.0	8	8.2	33	19	42	30°
KA□M-06	6	20	M6	7.0	9	9.2	36	21	46	29°
KA□M-08	8	24	M8	9.0	12	12.2	42	25	55	25°
KA□M-10	10	30	M10	10.5	14	14.2	48	28	63	25°
KA□M-10 F	10	30	M10 x 1.25	10.5	14	14.2	48	28	63	25°
KA□M-12	12	34	M12	12.0	16	16.2	54	32	71	25°
KA□M-12 F	12	34	M12 x 1.25	12.0	16	16.2	54	32	71	25°
KA□M-14	14	38	M14	13.5	19	19.2	61	36	79	25°
KA□M-16	16	42	M16	15.0	21	21.2	66	37	88	23°
KA□M-16 F	16	42	M16 x 1.5	15.0	21	21.2	66	37	88	23°
KA□M-18	18	46	M18 x 1.5	16.5	23	23.2	72	41	96	23°
KA□M-20	20	50	M20 x 1.5	18.0	25	25.2	78	45	104	23°
KA□M-20 M20	20	50	M20 x 2.5	18.0	25	25.2	78	45	104	23°
KA□M-22	22	56	M22 x 1.5	20.0	28	-	84	48	112	22°
KA□M-25	25	61	M24 x 2.0	22.0	31	-	95	55	126	22°
KA□M-30	30	71	M30 x 2.0	25.0	37	-	112	66	147	22°

Rod ends can be ordered in metric dimensions **with stainless steel** sleeve with the addition of **MH** after the part numbers listed here. Example: KARM-10 **MH** (Inner Ø: 10mm).

Rod ends, male thread; 2nd generation:
KARM CL



Order key

Type	Size [mm]	Version
K	A	M-06
CL		MH
K series	Housing (male thread)	Thread
	Thread	Metric
	Inner Ø	2nd generation
		Thread
		L =
		Left-hand thread
		R =
		Right-hand thread
		Add-on:
		MH =
		With stainless steel sleeve

- Smooth design no dirt traps
- Compensation of misalignment errors
- Lightweight
- Absolute corrosion resistance
- Available with stainless steel sleeve for higher tightening torque
- Dimensional K series according to DIN ISO 12240
- Adapter screw with circlip available
- ▶ Accessories, page 861

Material:
Housing: **igumid G** ▶ Page 1654
Spherical ball: **iglidur® W300** ▶ Page 171
Other spherical ball materials upon request
▶ Page 841

Technical data

Part No.	Max. static tensile strain		Max. static axial force		Min. thread depth	Max. tightening torque	Max. tightening torque through ball		Weight
	Short-term	Long-term	Short-term	Long-term			without stainless steel sleeve	with stainless steel sleeve	
KA□M-06 CL	1,000	500	100	50	15	0.5	10	15	3.5
KA□M-08 CL	1,700	850	200	100	18	2.0	12	40	6.2
KA□M-10 CL	2,500	1,250	300	150	20	5.0	20	50	11.2
KA□M-12 CL	2,700	1,350	400	200	22	6.0	30	70	15.6

Dimensions [mm]

Part No.	d1 E10	d2	d3	C1	B		h1	l1	l2	Max. pivot angle
					without stainless steel sleeve	with stainless steel sleeve +0.2				
KA□M-06 CL	6	20	M6	7.0	9	9.2	36	21	46	40°
KA□M-08 CL	8	24	M8	9.0	12	12.2	42	25	55	35°
KA□M-10 CL	10	30	M10	10.5	14	14.2	48	28	63	35°
KA□M-12 CL	12	34	M12	12.0	16	16.2	54	32	71	35°

Rod ends can be ordered in metric dimensions with stainless steel sleeve with the addition of **MH** after the part numbers listed here. Example: KARM-10 CL **MH** (Inner Ø: 10mm).

For another spherical bearing material than iglidur® W300, please add "J" to the part number, for example. Example: KARM-10 CL **J**.

