

Heating jackets for KITO®-Pipe armatures (with and without KITO® flame arrester)

Application

Warm-water / steam heating, as frost protection or to maintain temperatures in the armature housings. Maximum temperature of the heating medium:

KITO®-flame arresters :

Max. 25 K above the permissible operating temperature, but no more than 80% the ignition temperature

other KITO®-armatures :

- For flammable products max. 80% of the auto-ignition temperature
- For non-flammable products established in accordance with design and materials

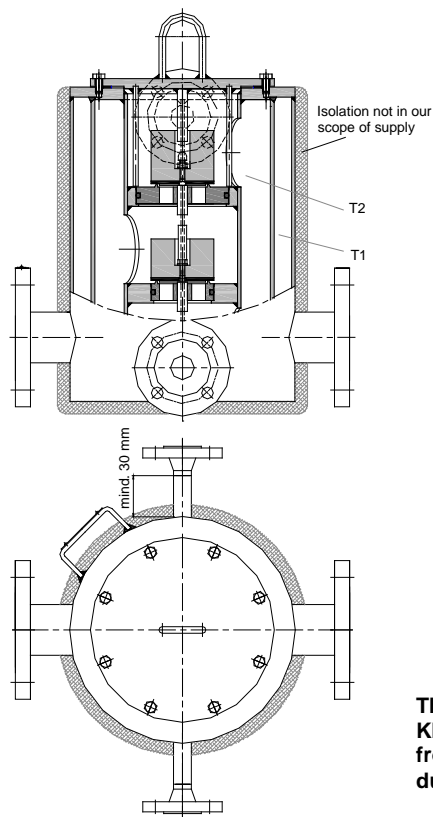
Specification according to CEN-TR 16793, §6.7

Note :

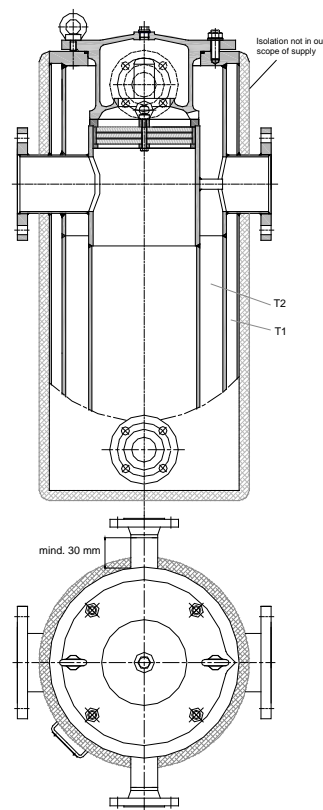
Heating jackets are usually subject to the Pressure Equipment Directive (PED) and they need CE-marking.

Example

without KITO® flame arrester (KITO® VD/TG-...)



with KITO® flame arrester (KITO® FL/E-...-IIB3)



T1 Heating room
T2 Housing interior

**The dimensions of the
KITO®-Armatures may differ
from the original dimensions
due to the design.**

Design

	standard	optionally
housing / cover	cast steel, steel	stainless steel
heating jacket	steel	stainless steel
Flange connection	EN 1092-1 DN 15 PN 40 type B1	EN 1092-1 DN 25 PN 40 type B1, ½" or 1" ASME B16.5 Class 150 RF
test pressure	15 bar	
max. operating pressure	10 bar	

page 1 of 1