



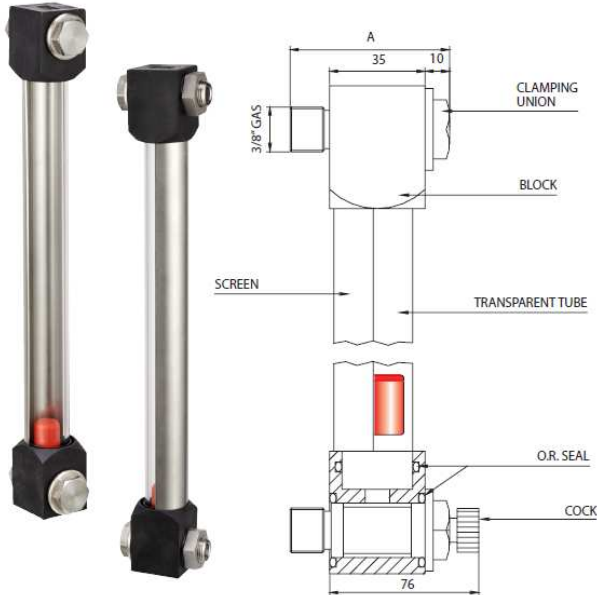
HENNLICH

MERES

MINI-STAVOZNAKY SÉRIE LUN / LMU

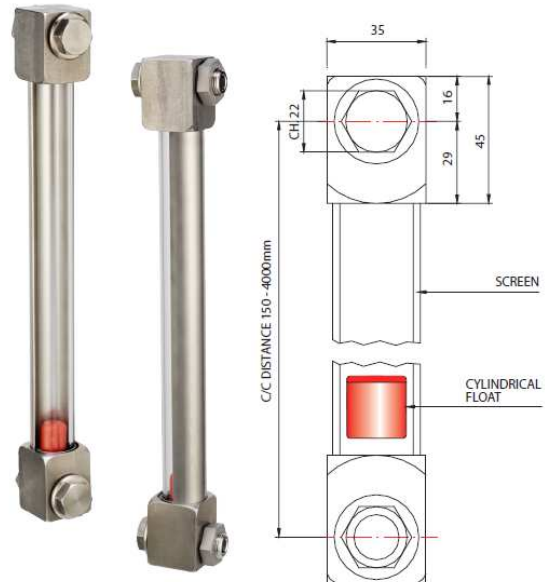
LUN

UNIVERSAL LEVEL INDICATORS WITH VARIABLE LENGTHS IN NYLON-GLASS



LMU

UNIVERSAL LEVEL GAUGES IN ANODISED ALUMINIUM (AISI 316 S/STEEL ON REQUEST)



This type of visual level, medium-sized and high solidity, is normally composed of two bodies in which is houses a transparent tube, reinforced and protected by a half-round profile in anodised aluminium which also acts as a contrast screen.

LUN

UNIVERSAL LEVEL GAUGES WITH VARIABLE LENGTHS IN NYLON-GLASS

USE:

Done to provide a visual control of liquids in tanks. Our levels are suitable for:

- Hydraulic power packs

- Tanks containing water, diesel oil, mineral oils with viscosity not higher than 220 cSt and all other liquid to the exclusion of acids or substances which are flammable.

OPERATION:

The principle used is that of communicating vessels: the liquid goes through the level gauge by means of hollow screws, showing the user the exact point inside the tank.

POSSIBILITY:

Through a full range of components, our levels can meet more special needs, with a low cost.

- The bodies can be in nylon fiberglass reinforced or in anodised aluminum or stainless steel AISI 316.

- The tubes are provided in acrylic or pyrex glass.
- The fittings 3/8" GAS, normally supplied in nickel-plated brass, can be requested in AISI 316; in the fitting place you can required a tap available in nickel-plated brass or AISI 316.
- On request all levels can be supplied with a bimetallic thermometer probe (L = 70mm) with body in chrome-plated brass casting of 40 mm diameter probe 0 ÷ 120 °C (the thermometer is supplied to the built-fitting locking 3/8" GAS).

Maximum pressure: see page 33
Maximum tightening torque: 10 Nm

LMU

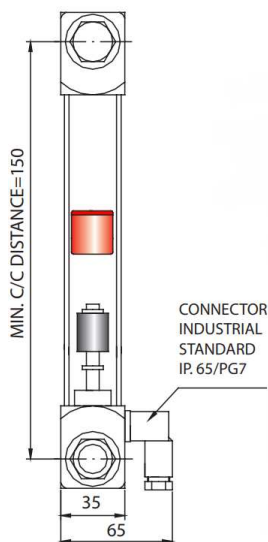
UNIVERSAL LEVEL GAUGES IN ANODISED ALUMINIUM (AISI 316 S/STEEL ON REQUEST)

MODEL	C/C DISTANCE	TUBE MATERIAL	TEMP. (°C)	HEAD	TEMP. (°C)	FLOAT	LOWER CONNECTION	UPPER CONNECTION	THERMOMETER	OR MATERIAL	TEMP. (°C)	NUT				
LUN	FROM 150 TO 4000	A METHACRYLATE	-40...+85	N NYLON GLASS	30...+130	1 NYLON-GLASS (RED)	A BRASS PLATED SCREW A=58	A BRASS PLATED SCREW A=58	S WITHOUT	1 NBR	-30...+100	A WITHOUT				
							B BRASS PLATED SCREW A=68	B BRASS PLATED SCREW A=68					2 FKM (VITON)	-25...+200		
							C AISI316 S/STEEL SCREW A=58	C AISI316 S/STEEL SCREW A=58					3 EPDM	-45...+140		
		P PYREX	-70...+250	N NYLON GLASS	30...+130	2 NBR (BLACK)	RO BRASS PLATED TAP OPEN/DOWNLOAD/CLOSE	RO BRASS PLATED TAP OPEN/DOWNLOAD/CLOSE	T BIMETALLIC PLUGGED IN TO LOWER SCREW (EXCLUDES RO - R1 - R2) USED ONLY WITH CONNECTIONS LOWER A - C	4 SI (SILICONE)	-60...+200	4 SI (SILICONE)	-60...+200	C GALVANIZED STEEL		
							R1 BRASS PLATED TAP OPEN/CLOSE	R1 BRASS PLATED TAP OPEN/CLOSE							5 FEP	-60...+205
							R2 AISI316 S/STEEL TAP OPEN/DOWNLOAD/CLOSE	R2 AISI316 S/STEEL TAP OPEN/DOWNLOAD/CLOSE							6 HNBR	-40...+130
LMU	FROM 150 TO 4000	A METHACRYLATE	-40...+85	A ANODISED ALUMINIUM	1 NYLON-GLASS (RED)	A BRASS PLATED SCREW A=58	A BRASS PLATED SCREW A=58	S WITHOUT	1 NBR	-30...+100	A WITHOUT					
						B BRASS PLATED SCREW A=68	B BRASS PLATED SCREW A=68					2 FKM (VITON)	-25...+200			
						C AISI316 S/STEEL SCREW A=58	C AISI316 S/STEEL SCREW A=58					3 EPDM	-45...+155			
		P PYREX	-70...+250	I STAINLESS STEEL	2 NBR (BLACK)	RO BRASS PLATED TAP OPEN/DOWNLOAD/CLOSE	R1 BRASS PLATED TAP OPEN/CLOSE	T BIMETALLIC PLUGGED IN TO LOWER SCREW (EXCLUDES RO - R1 - R2) USED ONLY WITH CONNECTIONS LOWER A - C	4 SI (SILICONE)	-60...+200	5 FEP	-60...+205	C STAINLESS STEEL			
						R1 BRASS PLATED TAP OPEN/CLOSE	R2 AISI316 S/STEEL TAP OPEN/DOWNLOAD/CLOSE							6 HNBR	-40...+130	
						R2 AISI316 S/STEEL TAP OPEN/DOWNLOAD/CLOSE	T ALUMINIUM CAP WITH BREATHER									

MINI-STAVOZNAKY SÉRIE LUN / LMU

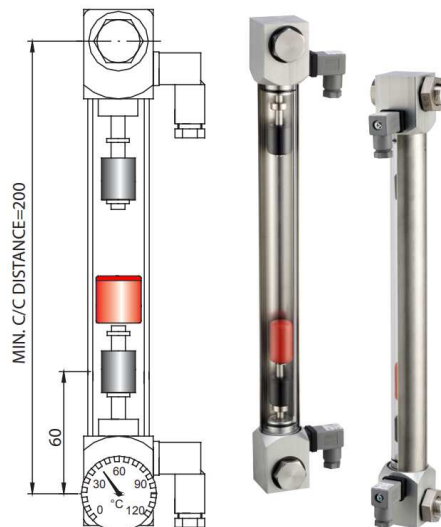
LMU + IE1

**VISUAL LEVEL GAUGES IN METAL
WITH MINIMUM SIGNAL**



LMU + IE2

**METAL VISUAL LEVEL GAUGES
WITH MINIMUM AND MAXIMUM SIGNAL**



MODEL	C/C DISTANCE	TUBE MATERIAL	TEMP. (°C)	HEAD	FLOAT	LOWER CONNECTION	UPPER CONNECTION	THERMOMETER	OR MATERIAL	TEMP. (°C)	NUT	LOWER ELECTRICAL CONTACT	UPPER ELECTRICAL CONTACT		
LMU+IE1	FROM 150 TO 4000	A METHACRYLATE	-40...+85	A ANODISED ALUMINIUM	1 NYLON-GLASS (RED)	A BRASS PLATED SCREW A=58	A BRASS PLATED SCREW A=58	S WITHOUT	1	NBR	-30...+100	A WITHOUT	C CLOSED IN ABSENCE OF LIQUID	N WITHOUT (LMU+IE1)	
						B BRASS PLATED SCREW A=68	B BRASS PLATED SCREW A=68								C OPEN IN ABSENCE OF LIQUID
						C AISI316 S/STEEL SCREW A=58	C AISI316 S/STEEL SCREW A=58								
LMU+IE2	FROM 150 TO 4000	P PYREX	-70...+250	A ANODISED ALUMINIUM	2 NBR (BLACK)	R0 BRASS PLATED TAP OPEN/DOWNLOAD/CLOSE	R0 BRASS PLATED TAP OPEN/DOWNLOAD/CLOSE	T BIMETALLIC PLUGGED IN TO LOWER SCREW (EXCLUDES R0 - R1 - R2) USED ONLY WITH CONNECTIONS LOWER A - C	3	EPDM	-45...+140	B GALVANIZED STEEL	O OPEN IN ABSENCE OF LIQUID	D OPEN IN ABSENCE OF LIQUID	
						R1 BRASS PLATED TAP OPEN/CLOSE	R1 BRASS PLATED TAP OPEN/CLOSE								
						R2 AISI316 S/STEEL TAP OPEN/DOWNLOAD/CLOSE	R2 AISI316 S/STEEL TAP OPEN/DOWNLOAD/CLOSE								
						R2 AISI316 S/STEEL TAP OPEN/DOWNLOAD/CLOSE	T ALUMINIUM CAP WITH BREATHER								
LMU+IE2	1000	P		A	3 NO			S	5	FEP	-60...+205	C STAINLESS STEEL	S EXCHANGE (SPDT)	S EXCHANGE (SPDT)	

VISUAL LEVEL GAUGE CHARACTERISTICS:

The electromagnetic level gauge is incorporated in the connection block; the electrical connector on the side of the level gauge lower block is only for minimum, upper if only for maximum, or on both blocks if minimum and maximum. To have the connector in the best position for connection of the wires (left or right side), just turn the screen 180°. Tubes in methacrylate or pyrex glass. Nickel-plated brass 3/8" GAS thread or AISI 316 s/steel clamping screws.

USE:

Designed for a visual and electromagnetic control of liquids in tanks with possibility of sending a luminous/acoustic signal at a distance, or activating or disconnecting the electrical circuit connected to it. The electromagnetic control can be of minimum or maximum (or minimum and maximum). Our electromagnetic Levels are suitable for:

- hydraulic power packs
- tanks containing water, gas oil, mineral oils with viscosity not higher than 220 cSt and all other liquids except acids or flammable substances.

OPERATION:

When the float of the indicator encounters the Reed switch incorporated in the tube at the pre-established distance, the contact, activated by the magnet housed in the float, opens or closes. S.P.D.T (exchange) contacts are also provided for.

POSSIBILITIES:

The ranges differ in the number of electrical contacts. In the more complete version (LMU + IE/2) there are two contacts, for minimum and maximum level. On request, they can be provided with a 70 mm long bimetal probe thermometer with Ø 40 mm body in chromed cast brass and scale of 0° to 120°C (the thermometer is incorporated in the clamping union).



HENNLICH

MERES

MINI-STAVOZNAKY SÉRIE LUN / LMU

VISUAL LEVELS: PRESSURE TABLE

MOD.	C/C DISTANTE	MAX PRESSURE OF USE WITH RESPECT TO THE PIPE MATERIAL (Bar)			
		METHACRYLATE	POLYCARBONATE	PYREX	TR55
TL	76		9		11
	127		8		5
	254		8		5
TL/E	76		10		9
	127		7		5
	254		7		5
LV/M	76	35	35	35	
	127	35	35	35	
	254	35	35	35	
LV LVC	127	35	35	35	
	254	35	35	35	
	300	35	35	35	
	400	25	35	35	
	500	15	35	35	
	600	13	35	35	
	700	8	21	35	
	800	5	21	35	
	900	4	21	35	
1000	3	21	35		
LMU	150	35		35	
	300	35		35	
	400	26		35	
	500	22		35	
	600	20		35	
	700	19		35	
	800	19		35	
	900	19		35	
	1000	16		35	
IN PRESENCE OF FLOATING IN NBR (BLACK) THE PRESSURE OF USE DECADE TO 5 BAR					