

KEY FACTS ROTATING CLEANING NOZZLES XACTCLEAN HP 2

Series 5S6/5S7

GENERAL INDUSTRY

XactClean HP 2

- Hygienically encapsulated threads
- ATEX certified with FDA and EC1935/2004
- Operation with steam approved (SIP)
- Max. temperature 150 °C
- Controlled slow rotation through our patented gearbox
- Use of high quality materials: Stainless steel 316L (1.4404), PEEK and EPDM

XactClean HP 2
High Performance

Open flow gearbox for maximum hygiene

Overload clutch protects the gearbox in case of improper use

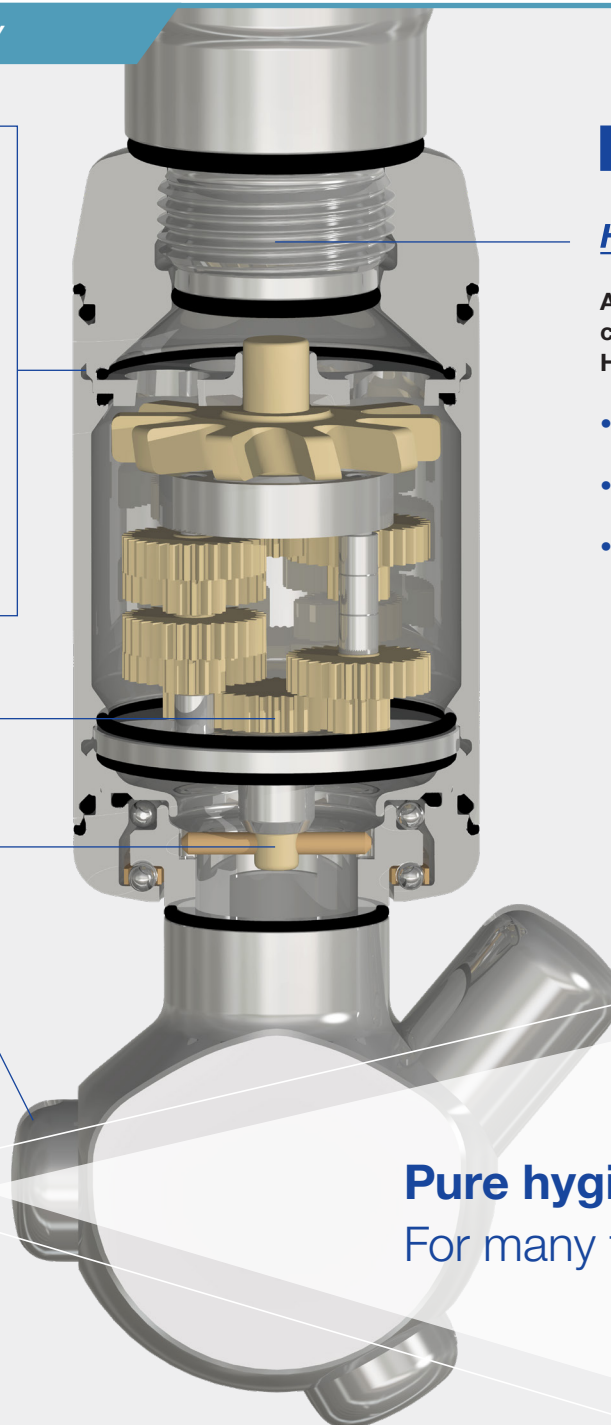
Powerful flat jet nozzle inserts

Perfect add

HygienicFit

Advantages of the hygienic connection with the HygienicFit adapter

- Reliable encapsulated thread
- Thread locking by O-rings (EPDM)
- Adapter made of stainless steel 316L (1.4404)



Pure hygiene.
For many tank sizes.