

In-line ball and socket joints (low-cost):  
AGRM LC and AGLM LC

 Order key

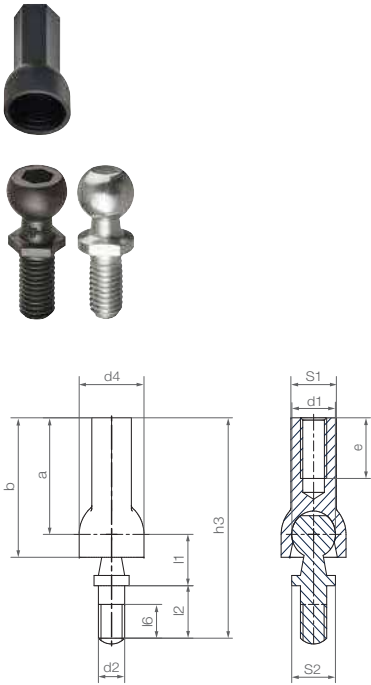
Type	Size [mm]	Version
AG <input type="checkbox"/> M- 06 LC MS		
In-line ball and socket joint	Thread (housing)	Metric
	Inner Ø	Low-cost

Options:

<b>Thread (housing)</b>	<b>Ball stud<sup>19)</sup></b>
L = Left-hand thread	Blank = Made of plastic
R = Right-hand thread	MS = Made of galvanised steel
	ES = Made of stainless steel <sup>20)</sup>

 **Material:**  
Housing: igumid G ► Page 1654

- Housing with ball stud
- Lightweight
- Maintenance-free
- Ball studs made of plastic, galvanised steel and stainless steel<sup>19)</sup> ► Accessories, page 857



Technical data

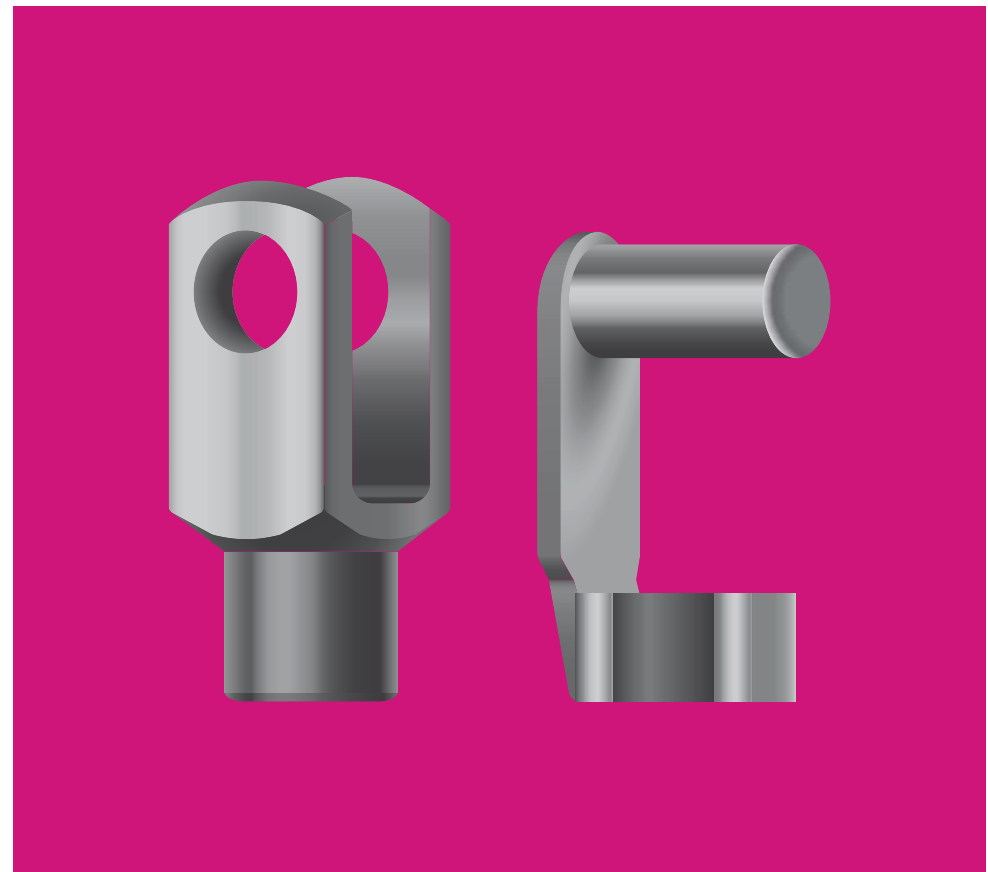
Part No.	Max. static tensile strain		Max. static compressive force (with steel stud)		Max. static compressive force (with plastic stud)		Max. assembly force [N]	Weight [g]
	Short-term	Long-term	Short-term	Long-term	Short-term	Long-term		
	[N]	[N]	[N]	[N]	[N]	[N]		
AG□M-06-LC	100	50	2,000	1,000	800	400	320	10.8
AG□M-08-LC <b>New</b>	150	75	2,800	1,400	1,400	700	430	23.1

Dimensions [mm]

Part No.	d1	d2	d4	l1	l2	l6	h3	S1	S2	a	b	e	Max. pivot angle	
	±0.1	±0.5	±0.2	±0.3	Min.	±0.5				±0.3	±0.5	Min.	Recom.	Max.
AG□M-06-LC	10	M6	14.8	11	11.25	7.25	47.25	SW9	SW10	25	29.9	13	18°	25°
AG□M-08-LC <b>New</b>	13	M8	19.3	13	16.5	13.5	57.5	SW12	SW11	29.5	35.0	16	18°	25°

<sup>19)</sup> Ball stud with right-hand thread; left-hand thread upon request

<sup>20)</sup> Stainless steel ball stud upon request



igubal® clevis joints

High tensile force

Vibration-dampening

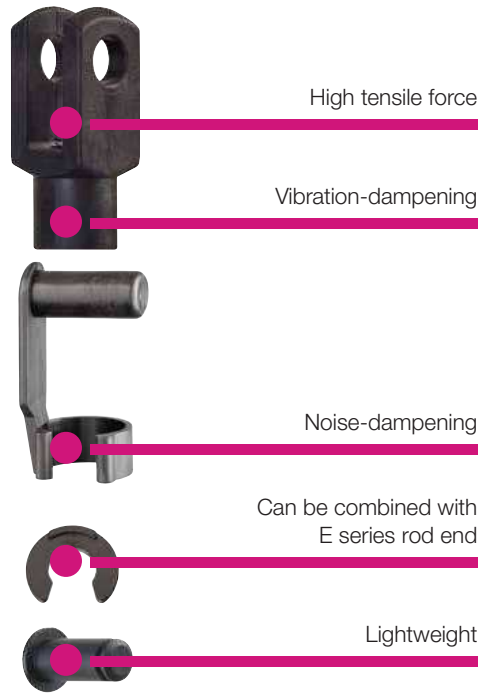
Noise-dampening

Can be combined with E series rod end

Lightweight



igubal® clevis joints are all made from solid plastic igumid G to DIN 71752, which can be combined with E series rod ends. Available components are clevis joint, clevis pin and circlip or as an alternative, spring-loaded fixing clip. Detectable version available.



### When to use it?

- If high rigidity is required
- If corrosion resistance is required
- If no lubrication is to be used
- If you want to save weight
- If maintenance-free, dry operation is required
- If simple assembly is required
- In combination with pneumatic cylinders and gas struts



### When not to use it?

- When temperatures are higher than +200°C
- When diameters above 20mm are required



### Available from stock

Detailed information about delivery time online.



### Price breaks online

No minimum order value. No minimum order quantity



Max. +80°C  
Min. -30°C



4 types  
Ø 4-20mm



Online product finder

► [www.igus-asean.com/igubal-finder](http://www.igus-asean.com/igubal-finder)

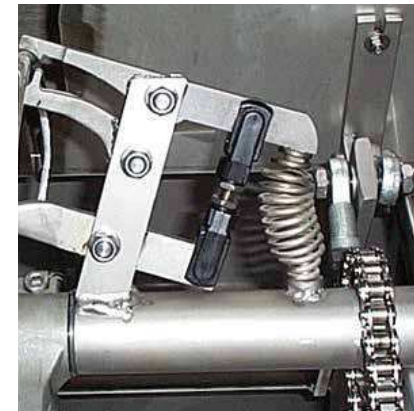


### Typical sectors of industry and application areas

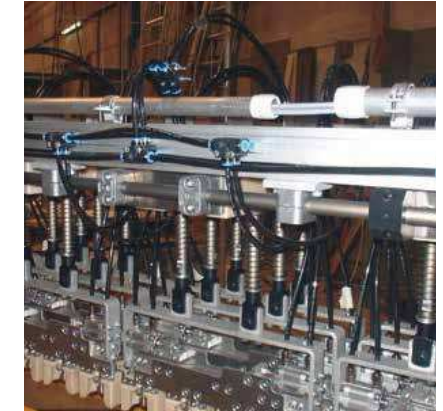
- Food industry ● Packaging
- Heavy Duty ● Automotive
- Renewable energy ● Automation etc.

Improve technology and reduce costs –  
110 exciting examples online

► [www.igus-asean.com/igubal-applications](http://www.igus-asean.com/igubal-applications)



► [www.igus-asean.com/food](http://www.igus-asean.com/food)



► [www.igus-asean.com/packaging](http://www.igus-asean.com/packaging)



► [www.igus-asean.com/traffic](http://www.igus-asean.com/traffic)



Pneumatic cylinder

igubal® – Clevis joint combinations



Clevis joints with clevis pin and circlip

E series

► Page 778

Clevis joints with spring-loaded fixing clip

E series

► Page 779

Combination, easy to fit

E series

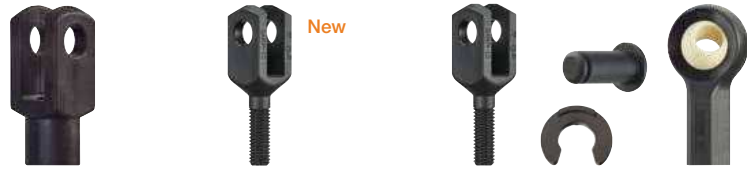
► Page 780

Combination, easy to fit

E series

► Page 781

igubal® component parts



Clevis joint, high rigidity:

E series

► From page 774

Clevis joint with male thread

E series

► From page 776

Clevis joint combination

► Page 777



Spring-loaded fixing clip

► Page 782

Clevis pin and circlip  
GBM – Clevis pin  
GSR – Circlip

► Page 783



Clevis joints, detectable, FDA and EU10/2011-compliant

E series

► Page 784

Spring-loaded pin, detectable, FDA and REU10/2011-compliant

E series

► Page 785

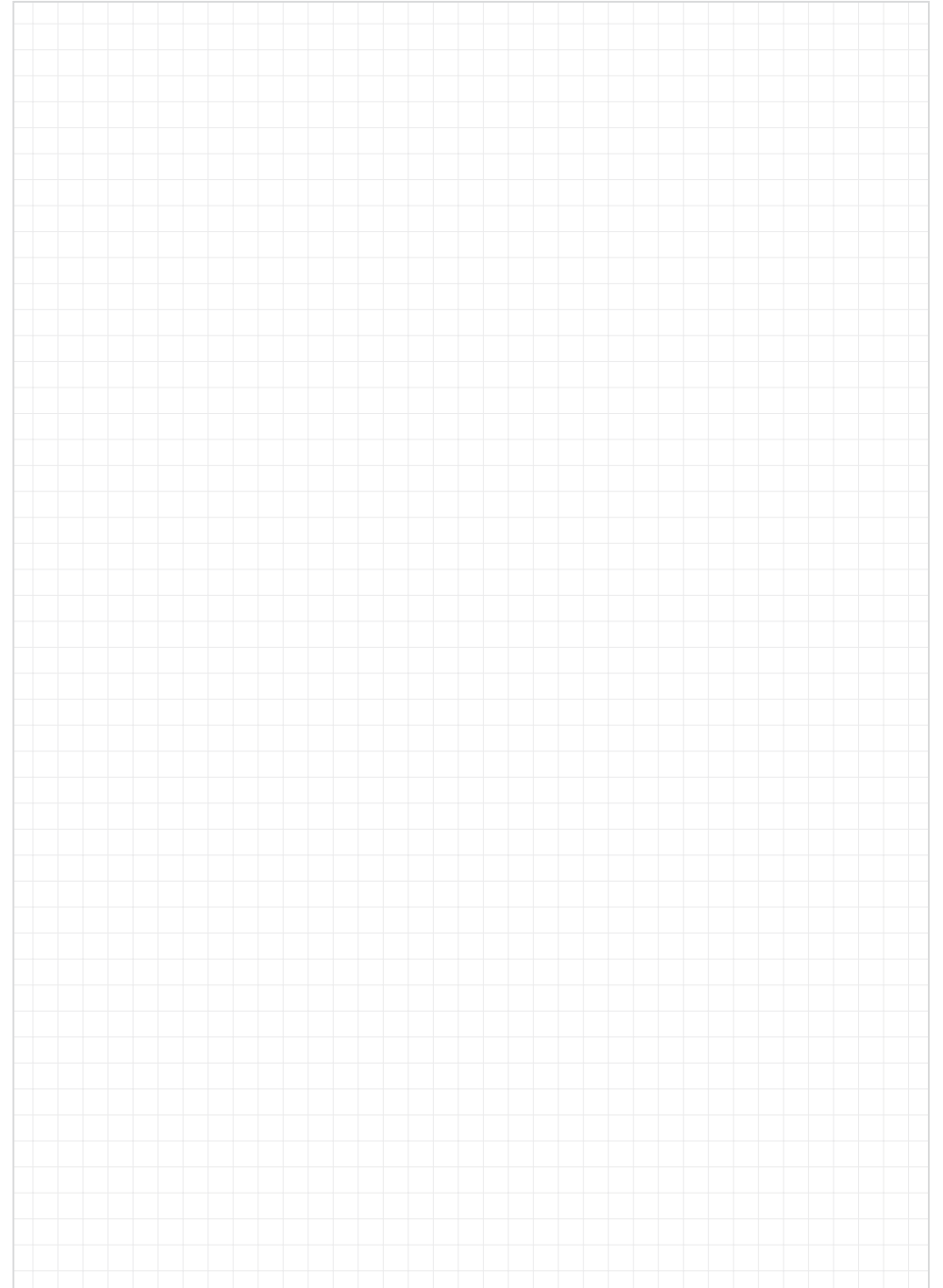
Clevis joints with spring-loaded pin, detectable; FDA and EU10/2011-compliant

E series

► Page 786

Detectable clevis joints and rod end bearings

► From page 863



Clevis joints: GERM and GELM



- Lightweight
- Robust
- Absolute corrosion resistance
- High tensile force
- Can be combined with E series rod end
- Vibration-dampening
- Noise-dampening
- Available with left- (GELM) and right-hand-thread (GERM)

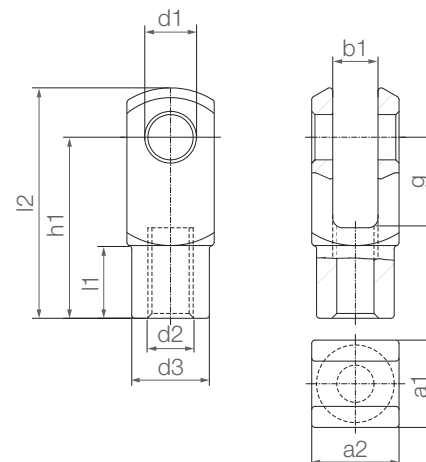
Service life calculation online  
▶ [www.igus-asean.com/igubal-expert](http://www.igus-asean.com/igubal-expert)

Technical data

Part No.	Max. static tensile strain		Max. static axial force		Max. tightening torque [Nm]	Weight [g]
	Short-term	Long-term	Short-term	Long-term		
	[N]	[N]	[N]	[N]		
GE□M-04 M3.5	650	325	250	125	0.4	0.9
GE□M-04	650	325	250	125	0.4	0.9
GE□M-05 DIN M4	1,000	500	250	125	0.4	1.5
GE□M-05 DIN M5	1,000	500	250	125	0.5	1.5
GE□M-05	1,200	600	250	125	0.5	2.7
GE□M-05 DIN M5 LS <sup>22)</sup>	1,000	500	130	65	0.5	2.3
GE□M-06	1,400	700	300	150	1.5	2.5
GE□M-06 LS <sup>22)</sup>	1,400	700	130	65	1.5	3.6
GE□M-08	2,700	1,350	650	325	5.0	6.3
GE□M-10	4,700	2,350	800	400	15.0	13.2
GE□M-10 F	4,700	2,350	800	400	6.0	13.2
GE□M-12	5,700	2,850	900	450	20.0	20.2
GE□M-12 F	5,700	2,850	900	450	15.0	20.2
GE□M-14	6,600	3,300	1,000	500	25.0	29.9
GE□M-14 F	6,600	3,300	1,000	500	20.0	29.9
GE□M-15	3,200	1,600	1,000	500	25.0	30.0
GE□M-16	7,500	3,750	1,200	600	30.0	49.9
GE□M-16 F	7,500	3,750	1,200	600	27.5	49.9
GE□M-17	3,600	1,800	1,200	600	30.0	50.0
GE□M-17 F	3,600	1,800	1,200	600	27.5	50.0
GE□M-20	9,500	4,750	3,000	1,500	60.0	105.0
GE□M-20 M20	9,500	4,750	3,000	1,500	80.0	105.0

<sup>22)</sup> LS = longer shank

Clevis joints: GERM and GELM



Order key

Type	Size [mm]	Options
<b>GE□M-04</b>		<b>LS</b>
<b>E series</b>		<b>Thread</b>
<b>Thread</b>		<b>Metric</b>
<b>Inner Ø</b>		

Thread  
L = Left-hand thread  
R = Right-hand thread

Add-on:  
LS = Longer shank

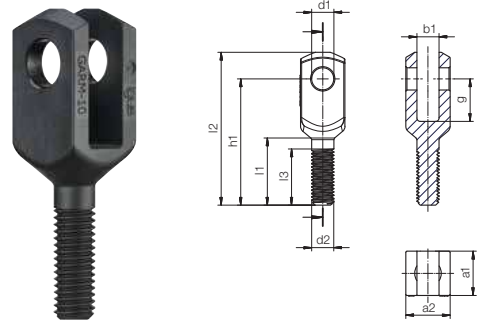
Material:  
igumid G ▶ Page 1654

Dimensions [mm]

Part No.	d1	g	a1	a2	b1	d2	d3	l2	h1	l1
	+0.1	h11	+0.3 -0.16	+0.3 -0.16	B13		±0.3	±0.5	±0.3	±0.2
GE□M-04 M3.5	4	8	8	8	4	M3.5	8	21.0	16	6.0
GE□M-04	4	8	8	8	4	M4	8	21.0	16	6.0
GE□M-05 DIN M4	5	10	10	10	5	M4	9	24.5	20	7.5
GE□M-05 DIN M5	5	10	10	10	5	M5	9	24.5	20	7.5
GE□M-05	5	12	12	12	6	M5	10	31.0	24	9.0
GE□M-05 DIN M5 LS <sup>22)</sup>	5	20	10	10	5	M5	9	36.0	30	7.5
GE□M-06	6	12	12	12	6	M6	10	31.0	24	9.0
GE□M-06 LS <sup>22)</sup>	6	24	12	12	6	M6	10	43.0	36	9.0
GE□M-08	8	16	16	16	8	M8	14	42.0	32	12.0
GE□M-10	10	20	20	20	10	M10	18	52.0	40	15.0
GE□M-10 F	10	20	20	20	10	M10 x 1.25	18	51.3	40	15.0
GE□M-12	12	24	24	24	12	M12	20	61.3	48	18.0
GE□M-12 F	12	24	24	24	12	M12 x 1.25	20	61.3	48	18.0
GE□M-14	14	28	27	27	14	M14	24	71.3	56	22.5
GE□M-14 F	14	28	27	27	14	M14 x 1.5	24	71.3	56	22.5
GE□M-15	15	28	27	27	14	M14	24	71.3	56	22.5
GE□M-16	16	32	32	32	16	M16	26	81.9	64	24.0
GE□M-16 F	16	32	32	32	16	M16 x 1.5	26	81.9	64	24.0
GE□M-17	17	32	32	32	16	M16	26	83.0	64	24.0
GE□M-17 F	17	32	32	32	16	M16 x 1.5	26	83.0	64	24.0
GE□M-20	20	40	40	40	20	M20 x 1.5	34	105.0	80	30.0
GE□M-20 M20	20	40	40	40	20	M20 x 2.5	34	105.0	80	30.0

<sup>22)</sup> LS = longer shank

Clevis joints with male thread:  
GARM-10



Order key

Type	Size [mm]
<b>G A R M - 10</b>	
Clevis joint	
Male thread	
Thread	
Metric	
Inner Ø	

**Material:**  
igumid G ► Page 1654

**Service life calculation online**  
► [www.igus-asean.com/igubal-expert](http://www.igus-asean.com/igubal-expert)

- Available from stock in thread size M10 (M8 and M12 in preparation)
- For direct connection to, for example, igubal® rod end bearings
- Lightweight
- Lubrication and maintenance-free
- Absolute corrosion resistance
- Available for right-hand thread (left-hand thread upon request)

Technical data

Part No.	Max. static tensile strain		Max. static axial force		Max. static tightening torque [Nm]	Weight [g]
	Short-term [N]	Long-term [N]	Short-term [N]	Long-term [N]		
GARM-10 <b>New</b>	3,000	1,500	200	100	5.0	12.5

Dimensions [mm]

Part No.	d1	g	a1	a2	b1	d2	l2	l3	h1	l1
GARM-10 <b>New</b>	+0.1	h11	+0.3	+0.3	B13		±0.5	±0.3	±0.3	±0.2
			-0.16	-0.16						
GARM-10 <b>New</b>	10	19	20	20	10	M10	69	25	57	30.3

Clevis joint combination:  
GARMK-10



Order key

Type	Size [mm]
<b>G A R M K - 10</b>	
Clevis joint	
Male thread	
Thread	
Metric	
With clevis pin and circlip	
Inner Ø	

**Material:**  
igumid G ► Page 1654

**Service life calculation online**  
► [www.igus-asean.com/igubal-expert](http://www.igus-asean.com/igubal-expert)

- Can be combined with:
- Safety bolt GBM-10 and circlip GSR-10 – part number GARMK-10
  - As clevis joint combination with rod end bearing EARM-10 – part number GARMKE-10
  - All igubal® parts with female thread M10

Technical data

Part No.	Max. static tensile strain		Max. static axial force		Weight [g]
	Short-term [N]	Long-term [N]	Short-term [N]	Long-term [N]	
GARMK-10 <b>New</b>	3,000	1,500	200	100	10.2

Clevis joints with spring-loaded fixing clip in combination with E series rod ends, EARM ► Page 758

Clevis joints with clevis pin and circlip:  
GERMK and GELMK



- Lightweight
- Absolute corrosion resistance
- High tensile force
- Can be combined with E series rod end



Order key

Type	Size [mm]	Options
<b>GE</b> □ <b>MK</b> - <b>04</b> <b>LS</b>		
<b>Clevis joint</b>	<b>E series</b>	<b>Thread</b>
	<b>Thread</b>	<b>Metric</b>
	<b>Clevis pin and circlip</b>	
	<b>Inner Ø</b>	
		<b>Thread</b> L = Left-hand thread R = Right-hand thread
		<b>Add-on:</b> LS = Longer shank



**Material:**  
igumid G ► Page 1654



**Service life calculation online**  
► [www.igus-asean.com/igubal-expert](http://www.igus-asean.com/igubal-expert)

Technical data

Part No.	Max. static tensile strain		Max. static axial force		Weight [g]
	Short-term	Long-term	Short-term	Long-term	
	[N]	[N]	[N]	[N]	
GE□MK-04 M3.5	500	250	250	125	1.3
GE□MK-04	500	250	250	125	1.3
GE□MK-05 DIN M4	800	400	250	125	2.1
GE□MK-05 DIN M5	800	400	250	125	2.1
GE□MK-05	900	450	250	125	3.3
GE□MK-05 DIN M5 LS <sup>22)</sup>	800	400	130	65	2.9
GE□MK-06	1,300	650	300	150	3.3
GE□MK-06 LS <sup>22)</sup>	1,300	650	130	65	4.4
GE□MK-08	2,100	1,050	650	325	7.9
GE□MK-10	3,000	1,500	800	400	16.4
GE□MK-10 F	3,000	1,500	800	400	16.4
GE□MK-12	3,500	1,750	900	450	25.3
GE□MK-12 F	3,500	1,750	900	450	25.3
GE□MK-14	6,100	3,050	1,000	500	31.2
GE□MK-15	2,800	1,400	1,000	500	38.9
GE□MK-16	7,000	3,500	1,200	600	60.8
GE□MK-16 F	7,000	3,500	1,200	600	60.8
GE□MK-17	3,600	1,800	1,200	600	62.3
GE□MK-17 F	3,600	1,800	1,200	600	62.3
GE□MK-20	9,000	4,500	3,000	1,500	125.2
GE□MK-20 M20	9,000	4,500	3,000	1,500	125.2

<sup>22)</sup> LS = longer shank



Single components: clevis pin  
GBM and circlip GSR  
► Page 783

Clevis joints with spring-loaded fixing clip:  
GERMF and GELMF



- One-piece design
- Easy assembly/disassembly
- Easy assembly also for use in hard to reach locations
- Can be combined with E series rod end
- Corrosion-resistant and lightweight



Order key

Type	Size [mm]	Options
<b>GE</b> □ <b>MF</b> - <b>04</b> <b>LS</b>		
<b>Clevis joint</b>	<b>E series</b>	<b>Thread</b>
	<b>Thread</b>	<b>Metric</b>
	<b>Spring-loaded fixing clip</b>	
	<b>Inner Ø</b>	
		<b>Thread</b> L = Left-hand thread R = Right-hand thread
		<b>Add-on:</b> LS = Longer shank



**Material:**  
igumid G ► Page 1654



**Service life calculation online**  
► [www.igus-asean.com/igubal-expert](http://www.igus-asean.com/igubal-expert)

Technical data

Part No.	Max. static tensile strain		Max. static axial force		Weight [g]
	Short-term	Long-term	Short-term	Long-term	
	[N]	[N]	[N]	[N]	
GE□MF-04 M3.5	500	250	250	125	1.3
GE□MF-04	500	250	250	125	1.3
GE□MF-05 DIN M4	800	400	250	125	2.3
GE□MF-05 DIN M5	800	400	250	125	2.3
GE□MF-05 DIN M5 LS <sup>22)</sup>	800	400	130	65	2.3
GE□MF-05	900	450	250	125	3.8
GE□MF-06	1,300	650	300	150	3.9
GE□MF-06 LS <sup>22)</sup>	1,300	650	130	65	3.9
GE□MF-08	2,100	1,050	650	325	9.1
GE□MF-10	3,000	1,500	800	400	18.2
GE□MF-10 F	3,000	1,500	800	400	18.2
GE□MF-12	3,500	1,750	900	450	28.6
GE□MF-12 F	3,500	1,750	900	450	28.6
GE□MF-16	7,000	3,500	1,200	600	61.8
GE□MF-16 F	7,000	3,500	1,200	600	61.8

<sup>22)</sup> LS = longer shank



Single components: Spring-loaded fixing clip GEFM  
► Page 782

Clevis joint combination:  
GERMKE and GELMKE



Order key

Type	Size [mm]	Options
<b>GE□MKE - 05</b>		
Clevis joint	E series	Thread
	Thread	Metric
	With clevis pin, circlip and rod end	
	Inner Ø	

Thread  
L =  
Left-hand thread  
R =  
Right-hand thread



- Lightweight
- Absolute corrosion resistance
- High tensile force
- Can be combined with E series rod end



Material:  
igumid G ► Page 1654



Service life calculation online  
► [www.igus-asean.com/igubal-expert](http://www.igus-asean.com/igubal-expert)

Technical data

Part No.	Max. static tensile strain		Max. static axial force		Weight [g]
	Short-term	Long-term	Short-term	Long-term	
	[N]	[N]	[N]	[N]	
GE□MKE-05	900	450	150	75	6.4
GE□MKE-06	1,300	650	200	100	7.3
GE□MKE-08	2,000	1,000	450	225	14.6
GE□MKE-10	2,300	1,150	500	250	27.1
GE□MKE-10 F	2,300	1,150	500	250	27.1
GE□MKE-12	3,300	1,650	550	275	42.7
GE□MKE-12 F	3,300	1,650	550	275	42.7
GE□MKE-15	2,800	1,400	800	400	68.4
GE□MKE-16	5,000	2,500	850	425	86.9
GE□MKE-16 F	5,000	2,500	850	425	86.9
GE□MKE-17	3,600	1,800	1,100	550	98.3
GE□MKE-17 F	3,600	1,800	1,100	550	98.3
GE□MKE-20	7,200	3,600	1,800	900	175.2
GE□MKE-20 M20	7,200	3,600	1,800	900	175.2

Clevis joints with spring-loaded fixing clip in combination with E series rod ends,  
EBRM and EARM ► Page 756–759

Clevis joint combination:  
GERMFE and GELMFE



Order key

Type	Size [mm]	Options
<b>GE□MFE - 05</b>		
Clevis joint	E series	Thread
	Thread	Metric
	With spring-loaded fixing clip and rod end	
	Inner Ø	

Thread  
L =  
Left-hand thread  
R =  
Right-hand thread



Material:  
igumid G ► Page 1654



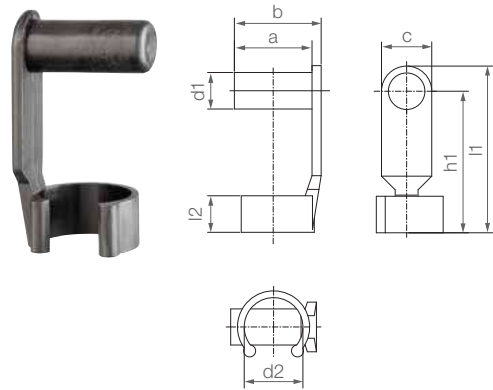
Service life calculation online  
► [www.igus-asean.com/igubal-expert](http://www.igus-asean.com/igubal-expert)

Technical data

Part No.	Max. static tensile strain		Max. static axial force		Weight [g]
	Short-term	Long-term	Short-term	Long-term	
	[N]	[N]	[N]	[N]	
GE□MFE-05	900	450	150	75	7.0
GE□MFE-06	1,300	650	200	100	7.9
GE□MFE-08	2,000	1,000	450	225	15.9
GE□MFE-10	2,300	1,150	500	250	29.2
GE□MFE-10 F	2,300	1,150	500	250	29.2
GE□MFE-12	3,300	1,650	550	275	46.0
GE□MFE-12 F	3,300	1,650	550	275	46.0
GE□MFE-16	5,000	2,500	850	425	94.4
GE□MFE-16 F	5,000	2,500	850	425	94.4

Clevis joints with spring-loaded fixing clip in combination with E series rod ends,  
EBRM and EARM ► Page 756–759

Spring-loaded fixing clips: GEFM



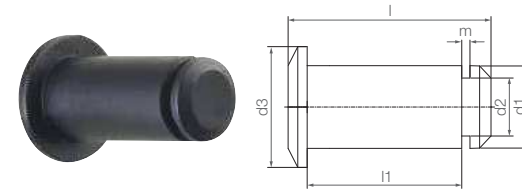
**i** Material:  
igumid G ► Page 1654

Dimensions [mm]

Part No.	d1	d2	a	b	C	l1 ±0.5	h1	l2	Weight [g]
GEFM-04	4	8	9.5	10.5	8	19.0	15	4.5	0.5
GEFM-05 DIN	5	9	12.0	13.5	8	23.0	19	5.5	0.8
GEFM-05 DIN M5 LS <sup>2)</sup>	5	9	12.0	13.5	8	33.0	29	5.5	1.0
GEFM-05	5	10	14.0	15.5	8	27.0	23	6.5	1.1
GEFM-06 LS <sup>2)</sup>	6	10	14.0	15.5	8	39.0	35	6.5	1.0
GEFM-06	6	10	14.0	15.5	8	27.0	23	6.5	1.2
GEFM-08	8	14	19.0	21.0	11	35.5	30	8.0	2.8
GEFM-10	10	18	23.0	25.5	14	45.0	38	10.0	5.0
GEFM-12	12	20	28.0	31.0	16	53.0	45	12.0	8.3
GEFM-16	16	26	36.0	40.0	22	73.0	62	16.0	18.3

<sup>2)</sup> LS = longer shank

Clevis pins: GBM

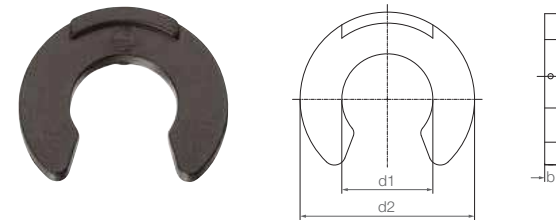


**i** Material:  
igumid G ► Page 1654

Dimensions [mm]

Part No.	d1	d2	d3	l	l1	m	Clip	Weight [g]
GBM-04	4	3.2	7	12.5	8	1.05	GSR-04	0.3
GBM-05	5	4.0	8	16.5	12	1.15	GSR-06	0.5
GBM-05 DIN	5	4.0	8	14.5	10	1.15	GSR-06	0.5
GBM-06	6	4.0	9	16.5	12	1.15	GSR-06	0.7
GBM-08	8	5.0	12	21.5	16	1.15	GSR-08	1.5
GBM-10	10	7.0	15	27.0	20	1.35	GSR-10	3.0
GBM-12	12	9.0	18	31.5	24	1.50	GSR-12	4.8
GBM-14	14	12.0	22	36.0	27	1.70	GSR-16	5.7
GBM-15	15	12.0	23	36.0	27	1.70	GSR-16	8.3
GBM-16	16	12.0	24	42.0	32	1.70	GSR-16	10.4
GBM-17	17	12.0	25	42.0	32	1.70	GSR-16	12.3
GBM-20	20	15.0	30	51.0	40	2.00	GSR-20	19.2

Circlips: GSR



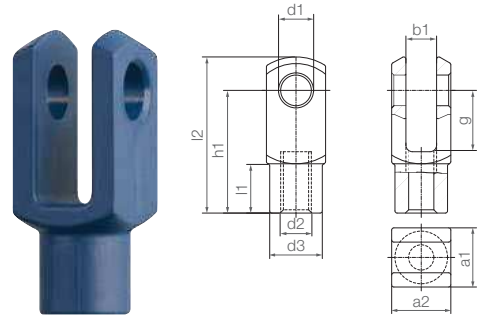
**i** Material:  
POM ► Page 1656

Dimensions [mm]

Part No.	d1	d2	b	Weight [g]
GSR-04	3.2	7.0	1.0	0.05
GSR-06	4.0	9.0	1.1	0.06
GSR-08	5.0	11.0	1.1	0.12
GSR-10	7.0	14.0	1.3	0.16
GSR-12	9.0	18.5	1.4	0.31
GSR-16	12.0	23.0	1.6	0.58
GSR-20	15.0	28.0	1.9	0.96



Clevis joints, detectable,  
FDA and EU10/2011-compliant:  
GERM-FC



Order key

Type	Size [mm]	Version
<b>G E R M - 04 - FC</b>		
Clevis joint	E series	Thread
		Metric
	Inner Ø	Suitable for food contact

- Lubrication and maintenance-free
- Optically and magnetically detectable
- Compliant with Regulation (EU) No. 10/2011 and FDA guidelines

- Corrosion and media-resistant
- Vibration-dampening
- Cost-effective

Material:  
igumid FC ▶ Page1655

#### Technical data

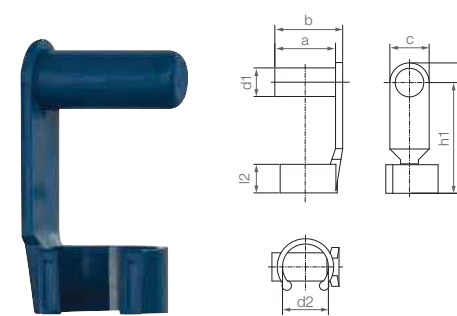
Part No.		Max. static tensile strain		Max. static axial force		Max. tightening torque [Nm]	Weight [g]
		Short-term [N]	Long-term [N]	Short-term [N]	Long-term [N]		
GERM-04-FC	<b>New</b>	600	300	200	100	1.0	0.8
GERM-05-DIN-M5-FC	<b>New</b>	800	400	250	125	1.5	1.5
GERM-06-FC	<b>New</b>	1,400	700	250	125	1.5	2.5
GERM-08-FC	<b>New</b>	2,300	1,150	650	325	5.0	6.4
GERM-10-FC	<b>New</b>	4,000	2,000	800	400	10.0	13.2
GERM-10-FC-F	<b>New</b>	4,000	2,000	800	400	10.0	13.2
GERM-12-FC	<b>New</b>	5,000	2,500	900	450	15.0	20.7
GERM-12-FC-F	<b>New</b>	5,000	2,500	900	450	15.0	20.7

#### Dimensions [mm]

Part No.		d1	g	a1	a2	b1	d2	d3	l2	h1	l1
				+0.3	+0.3						
				-0.16	-0.16						
GERM-04-FC	<b>New</b>	4	8.0	8.0	8.0	4.1	M4	8	21.0	16.0	6.0
GERM-05-DIN-M5-FC	<b>New</b>	5	10.0	9.9	9.9	5.3	M5	9	24.5	20.0	7.5
GERM-06-FC	<b>New</b>	6	12.0	12.0	12.0	6.2	M6	10	31.0	24.0	9.0
GERM-08-FC	<b>New</b>	8	15.9	15.8	15.8	8.2	M8	14	42.0	32.0	12.0
GERM-10-FC	<b>New</b>	10	19.5	19.9	19.9	9.5	M10	18	51.3	39.5	14.8
GERM-10-FC-F	<b>New</b>	10	19.5	19.9	19.9	9.5	M10 x 1.25	18	51.3	39.5	14.8
GERM-12-FC	<b>New</b>	12	24.0	23.7	23.7	12.2	M12	20	61.3	48.0	18.0
GERM-12-FC-F	<b>New</b>	12	23.5	23.7	23.7	12.2	M12 x 1.25	20	61.3	48.0	18.0

Left-hand thread and other dimensions available upon request

Spring-loaded fixing clips, detectable,  
FDA and EU10/2011-compliant:  
GEFM-FC



Order key

Type	Size [mm]	Version
<b>G E F M - 04 - FC</b>		
Clevis joint	E series	Spring-loaded fixing clip
		Metric
	Inner Ø	Suitable for food contact

- Lubrication and maintenance-free
- Optically and magnetically detectable
- Compliant with Regulation (EU) No. 10/2011 and FDA guidelines

- Corrosion and media-resistant
- Vibration-dampening
- Cost-effective

Material:  
igumid FC ▶ Page1655

#### Dimensions [mm]

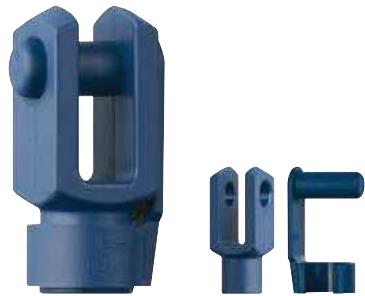
Part No.		d1	d2	a	b	C	l1	h1	l2	Weight [g]
GEFM-04-FC	<b>New</b>	4	8.0	9.5	10.5	8	19 ±0.5	15	4.5	0.5
GEFM-05-DIN-M5-FC	<b>New</b>	5	9.0	12.0	13.5	8	23	19	5.5	0.8
GEFM-06-FC	<b>New</b>	6	9.8	14.0	15.5	8	27	23	6.5	1.2
GEFM-08-FC	<b>New</b>	8	14.0	19.0	21.0	11	36	30	8.0	2.7
GEFM-10-FC	<b>New</b>	10	17.5	23.0	25.5	14	45	38	10.5	5.1
GEFM-12-FC	<b>New</b>	12	20.2	27.5	30.5	16	53	45	12.0	8.3

Clevis joints with spring-loaded fixing clips, detectable, FDA and EU10/2011-compliant: GERMF-FC



Order key

Type	Size [mm]	Version
<b>G E R M F - 04 - F C</b>		
Clevis joint	E series	Thread
	Metric	Spring-loaded fixing clip
	Inner Ø	Suitable for food contact



- Lubrication and maintenance-free
- Optically and magnetically detectable
- Compliant with Regulation (EU) No. 10/2011 and FDA guidelines

- Corrosion and media-resistant
- Vibration-dampening
- Cost-effective



Material:  
igumid FC ▶ Page1655

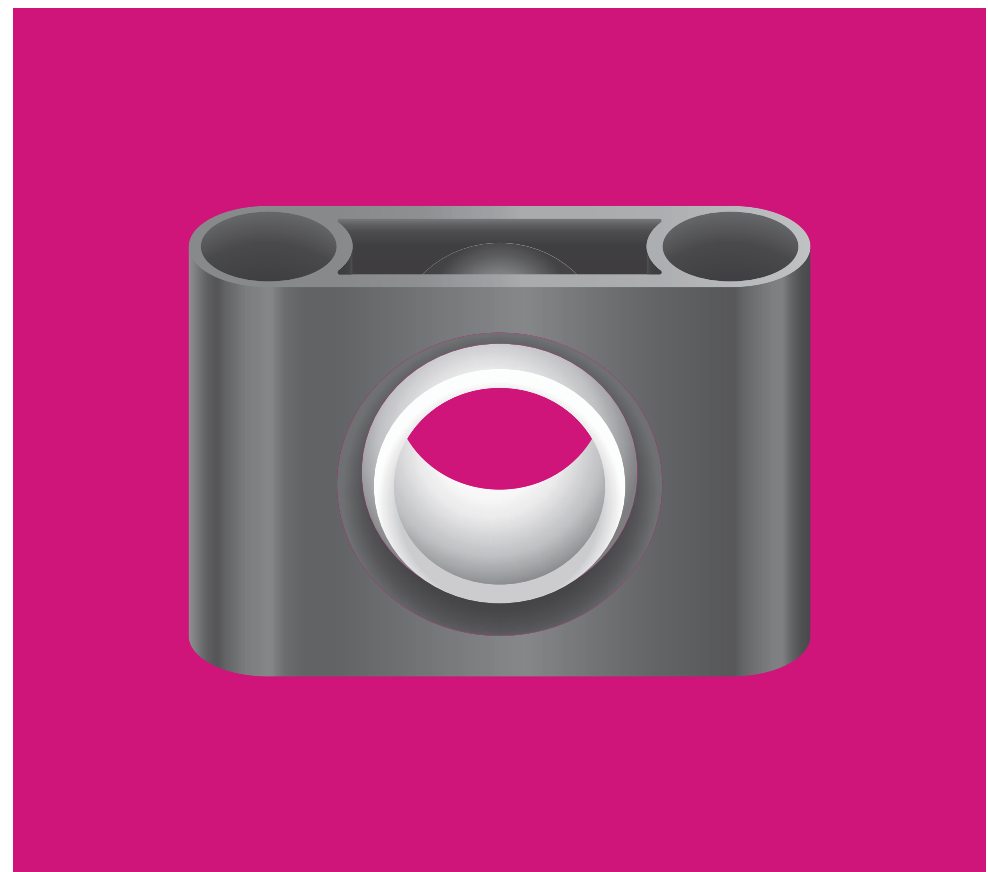
#### Technical data

Part No.		Max. static tensile strain		Max. static axial force		Weight [g]
		Short-term	Long-term	Short-term	Long-term	
		[N]	[N]	[N]	[N]	
GERMF-04-FC	<b>New</b>	400	200	200	100	1.3
GERMF-05-DIN-M5-FC	<b>New</b>	700	350	250	125	2.3
GERMF-06-FC	<b>New</b>	1,200	600	250	125	3.7
GERMF-08-FC	<b>New</b>	2,000	1,000	650	325	9.1
GERMF-10-FC	<b>New</b>	3,000	1,500	800	400	18.3
GERMF-10-FC-F	<b>New</b>	3,000	1,500	800	400	18.3
GERMF-12-FC	<b>New</b>	3,000	1,500	900	450	29.0
GERMF-12-FC-F	<b>New</b>	3,000	1,500	900	450	29.0

#### Dimensions [mm]

Part No.		d1	g	a1	a2	b1	d2	d3	l2	h1	l1
				+0.3	+0.3						
				-0.16	-0.16						
GERMF-04-FC	<b>New</b>	4	8.0	8.0	8.0	4.1	M4	8	21.0	16.0	6.0
GERMF-05-DIN-M5-FC	<b>New</b>	5	10.0	9.9	9.9	5.3	M5	9	24.5	20.0	7.5
GERMF-06-FC	<b>New</b>	6	12.0	12.0	12.0	6.2	M6	10	31.0	24.0	9.0
GERMF-08-FC	<b>New</b>	8	15.9	15.8	15.8	8.2	M8	14	42.0	32.0	12.0
GERMF-10-FC	<b>New</b>	10	19.5	19.9	19.9	9.5	M10	18	51.3	39.5	14.8
GERMF-10-FC-F	<b>New</b>	10	19.5	19.9	19.9	9.5	M10 x 1.25	18	51.3	39.5	14.8
GERMF-12-FC	<b>New</b>	12	24.0	23.7	23.7	12.2	M12	20	61.3	48.0	18.0
GERMF-12-FC-F	<b>New</b>	12	23.5	23.7	23.7	12.2	M12 x 1.25	20	61.3	48.0	18.0

Left-hand thread upon request



## igubal® pillow block bearings

Maintenance-free dry operation

Robust

Durable

Media-resistant

High radial loads

